

VETRON

MODULAR WORKPLACE SYSTEM 2019

VETRON MODULAR WORKPLACE SYSTEM // 1-NEEDLE MACHINE

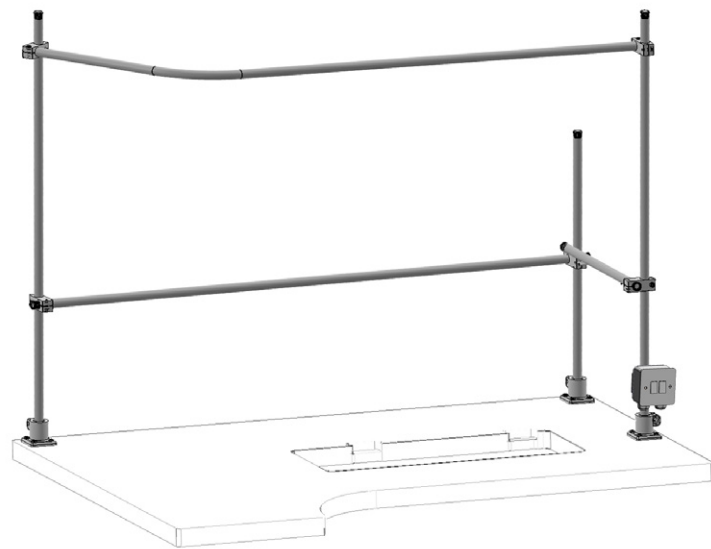
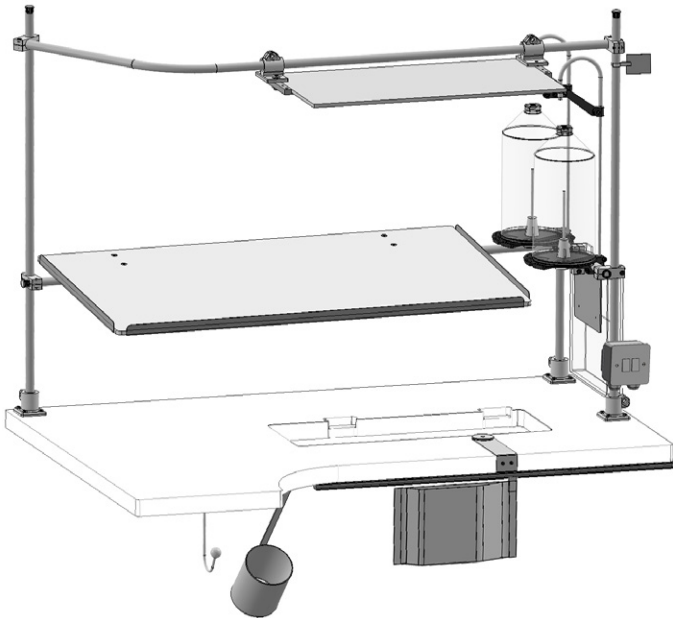


WORKPLACE
VETRON

MODULAR WORKPLACE SYSTEM

1-NEEDLE MACHINE // 558 750 000

- » 558 750 001 TUBE FRAME SYSTEM
(WITH TUBE 400mm FOR COPSE)
- » 558 750 002 UPPER LED LIGHT
- » 558 750 003 LOWER LED LIGHT
- » 558 750 004 STORAGE SHELF (STANDARD)
- » 558 750 016 (2) COPSE HOLDER WITH COPSE COVER FOR
1-NEEDLE MACHINES
- » 558 750 006 DOCUMENT BAG DIN A4
- » 558 750 007 THREAD GUIDE FOR 1-NEEDLE MACHINE
- » 558 750 008 WORKPLACE IDENTIFICATION
- » 558 750 009 TRASH BAG
- » 558 750 010 BOTTLE HOLDER
- » 558 750 011 HOOK
- » 558 750 012 MAGNETIC HOLDER



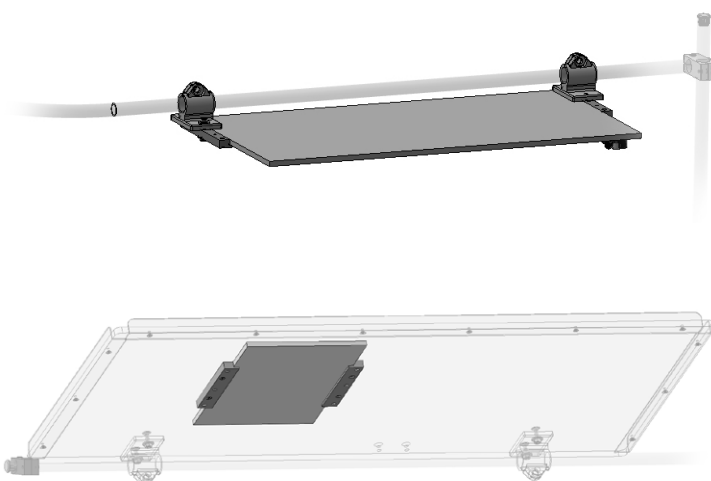
- » **TUBE FRAME SYSTEM // 558 750 001**
(SWITCH IN CONNECTION WITH LED LIGHT, ONLY)



- » **UPPER LED LIGHT (24V) WITH SWITCH**
// 558 750 002



- » **LOWER LED LIGHT (24V) WITH SWITCH**
// 558 750 003

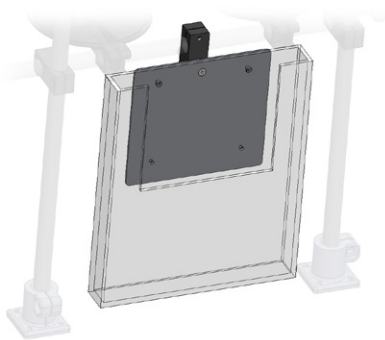




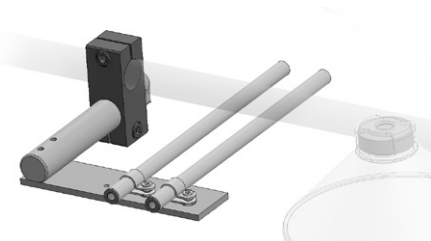
» **STORAGE SHELF (STANDARD)**
// 558 750 004



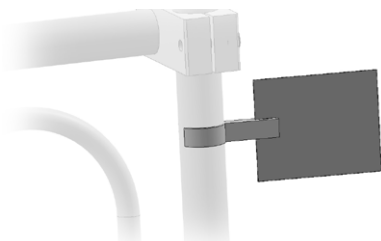
» **(2) COPSE HOLDER WITH COPSE COVER FOR 1-NEEDLE MACHINES** // 558 750 016



» **DOCUMENT BAG DINA 4** // 558 750 006

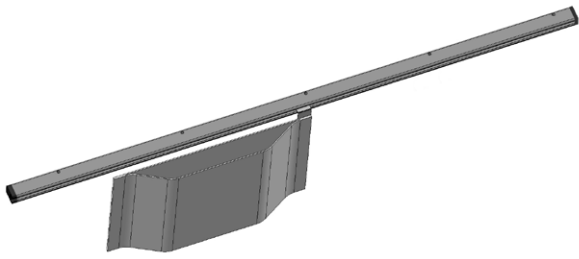


» **THREAD GUIDE FOR 1-NEEDLE MACHINE**
// 558 750 007

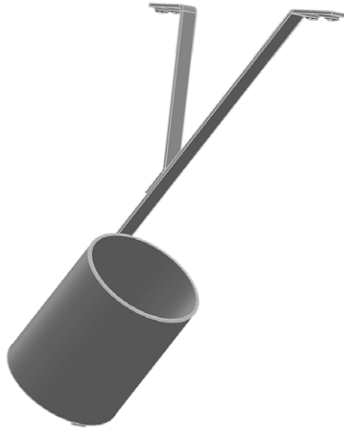


» **WORKPLACE IDENTIFICATION**
// 558 750 008

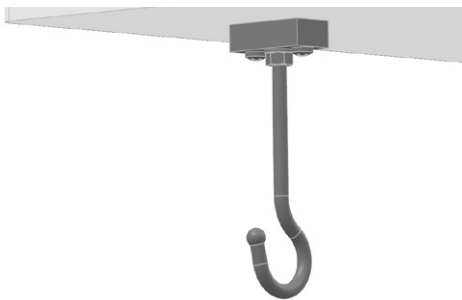
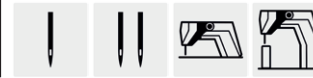




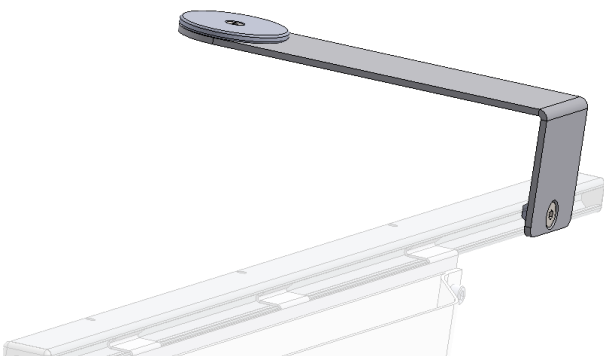
» TRASH BAG // 558 750 009



» BOTTLE HOLDER // 558 750 010



» HOOK // 558 750 011

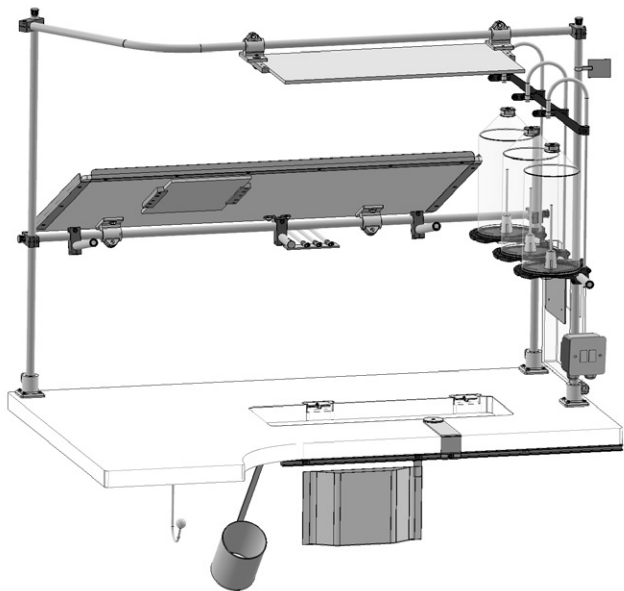


» MAGNETIC HOLDER // 558 750 012



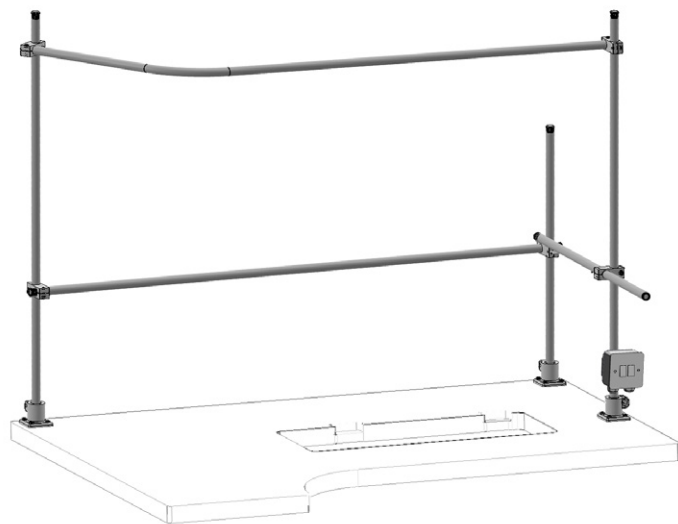
VETRON MODULAR WORKPLACE SYSTEM // 2-NEEDLE MACHINE



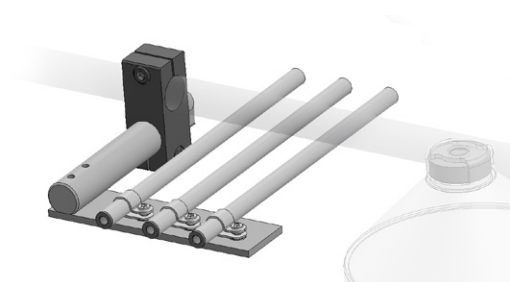


MODULAR WORKPLACE SYSTEM
2-NEEDLE MACHINE // 558 750 020

- » **558 750 015** TUBE FRAME SYSTEM
(WITH TUBE **600mm** FOR COPSE)
- » **558 750 002** UPPER LED LIGHT
- » **558 750 003** LOWER LED LIGHT
- » **558 750 004** STORAGE SHELF (STANDARD)
- » **558 750 016** **(3)** COPSE HOLDER WITH COPSE COVER FOR
2-NEEDLE MACHINES
- » **558 750 006** DOCUMENT BAG DIN A4
- » **558 750 014** THREAD GUIDE FOR 2-NEEDLE MACHINE
- » **558 750 008** WORKPLACE IDENTIFICATION
- » **558 750 009** TRASH BAG
- » **558 750 010** BOTTLE HOLDER
- » **558 750 011** HOOK
- » **558 750 012** MAGNETIC HOLDER



- » **TUBE FRAME SYSTEM // 558 750 015**
(SWITCH IN CONNECTION WITH LED LIGHT, ONLY)



- » **THREAD GUIDE FOR 2-NEEDLE MACHINE**
// **558 750 014**



- » **(3) COPSE HOLDER WITH COPSE COVER FOR**
2-NEEDLE MACHINES // 558 750 016





» **COPSE HOLDER WITH COPSE COVER**

// 558 750 016



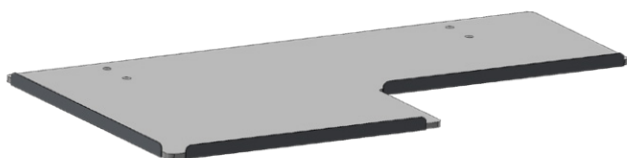
» **10 LITERS DUSTBIN WITH HOLDER**

// 558 750 017



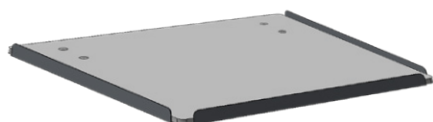
» **SIGNAL LIGHT WITH HOLDER**

// 558 750 018



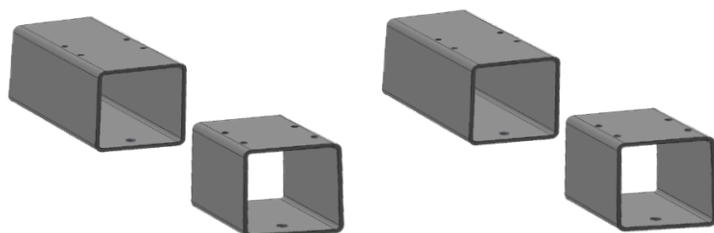
» **STORAGE SHELF (L-SHAPE)**

// 558 750 021



» **STORAGE SHELF (SMALL)**

// 558 750 022



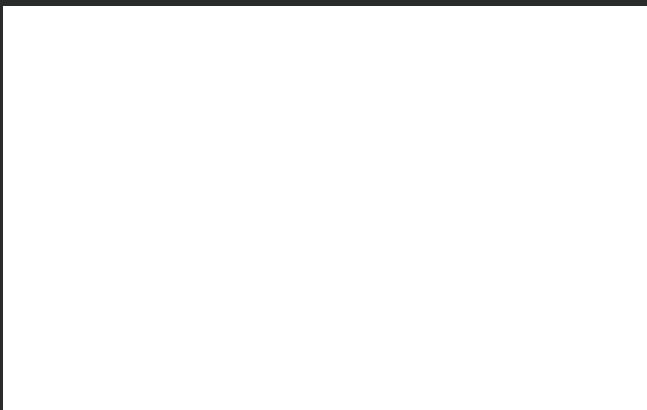
» **STANDS HEIGHT INCREASING PROFILE
(+100 mm STAND HEIGHT)**

// 558 750 019





VETRON MODULAR WORKPLACE SYSTEM // **PARTLY PRE-ASSEMBLED KIT**



VETRON TYPICAL Europe GmbH

Clara-Immerwahr-Str. 6

D-67661 Kaiserslautern

Phone: +49 (0)6301 / 320 75 - 0

Fax: +49 (0)6301 / 320 75 - 11

E-Mail: sales@vetrontypical.com

www.vetrontypical.com